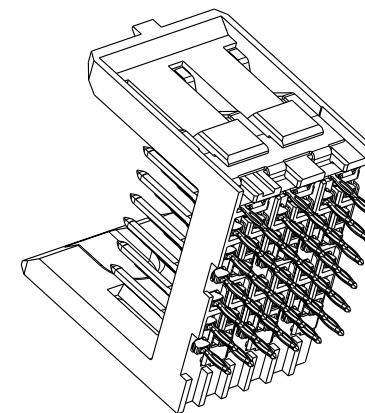
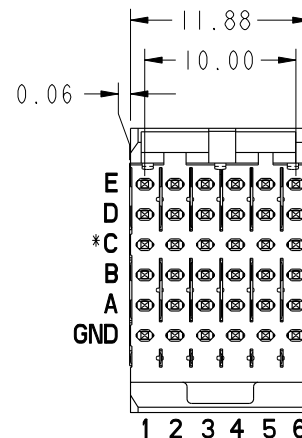
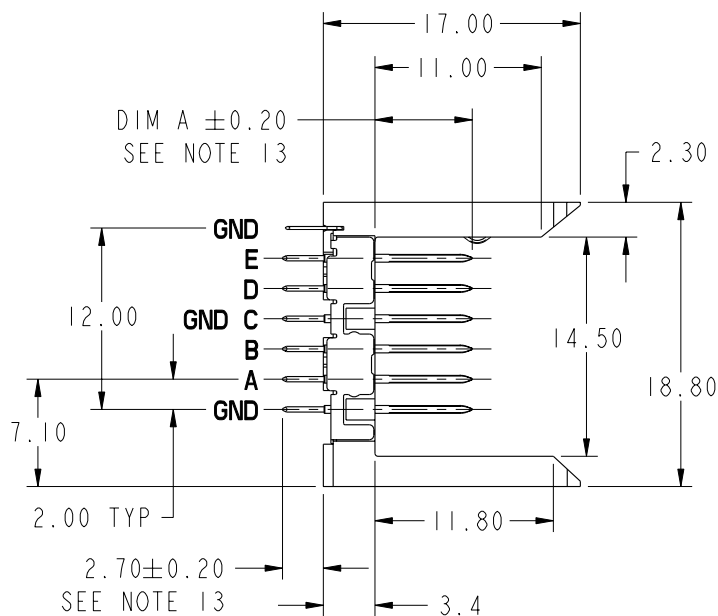
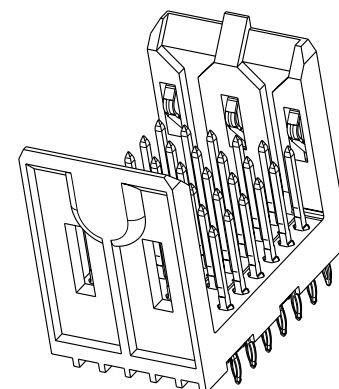
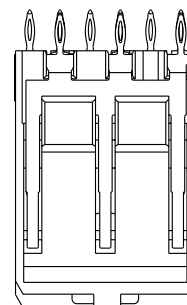


PRODUCT NUMBER	PLATING PERFORMANCE LEVEL	APPLICATION
59569-101ZZZ	TELCORDIA CO	STANDARD
59569-101ZZZLF	TELCORDIA CO	LEAD FREE
59569-501ZZZ	TELCORDIA UE	STANDARD
59569-501ZZZLF	TELCORDIA UE	LEAD FREE



This document is the property of and embodies CONFIDENTIAL and PROPRIETARY information of FCI. No part of the information shown on this document may be used in any way or disclosed to others without the written consent of FCI. Copyright FCI.

***ROW C INFORMATION**

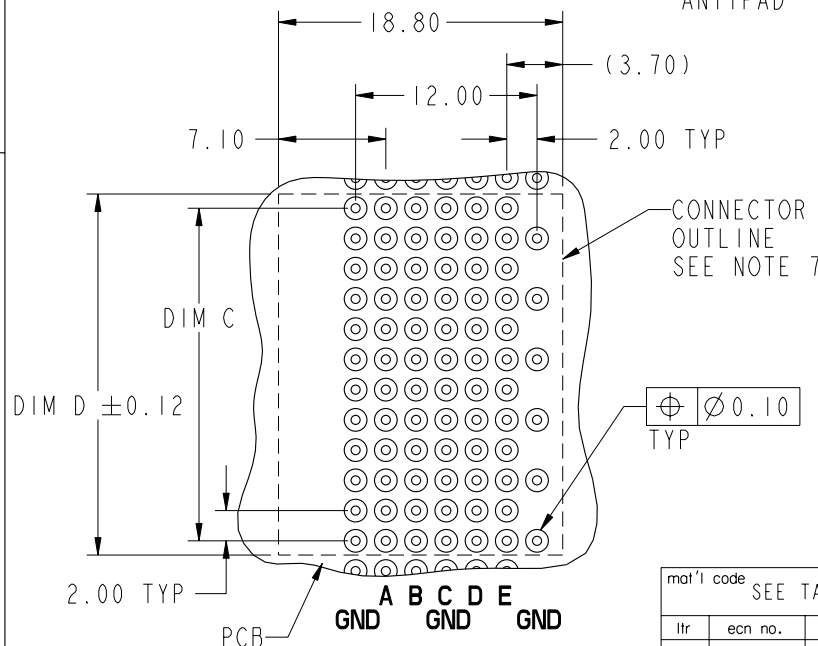
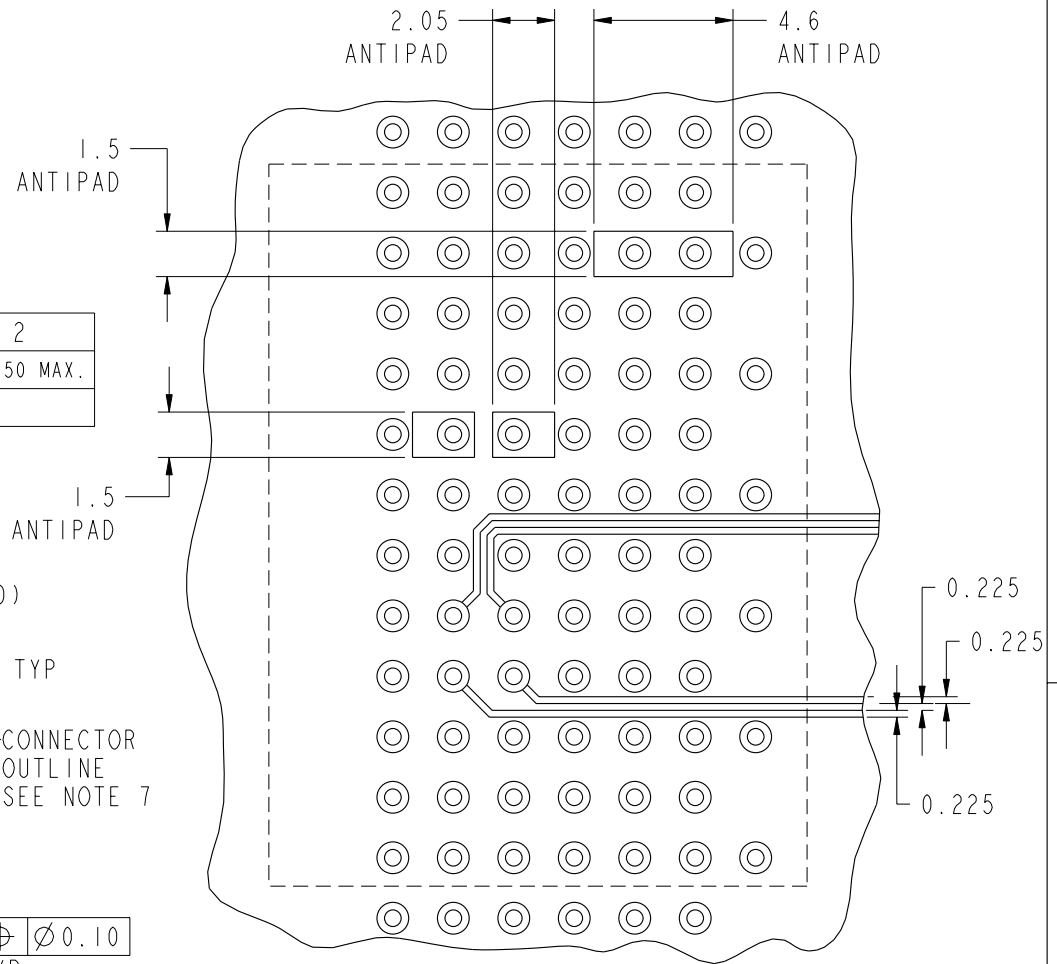
ODD NUMBER COLUMNS WITHIN ROW C ARE COMMONED TO GROUND INTERNALLY WITHIN THE HOUSING. THE EVEN NUMBER COLUMNS WITHIN ROW C ARE NOT. FOR MAXIMUM PERFORMANCE IT IS RECOMMENDED THESE EVEN COLUMNS BE GROUND COMMONED WITHIN PCB.

SEE NOTE 12

mat'l code SEE TABLE				tolerances unless otherwise specified		CUSTOMER	www.fciconnect.com	
ltr	ecn no.	dr	date	linear	0.X ± 0.3	COPY	title	
H	V06-0868	DCH	2006-08-29		0.XX ± 0.13	projection	VERTICAL SIGNAL HDR. 5 ROW	
J	V07-0171	DCH	2007-03-29	angles	.XXX ± .051		P.F. 30 POS. SPECIAL LOAD EXT.	
K	V07-0699	HTB	2007-12-03		0° ± 2°		product family	METRAL 4000
-	-	-	-	dr	C. DAILY	2002-01-16	size	dwg no
E	V03-0450	TAB	2003-05-01	engr	J. VOLSTORF	2001-10-25	A	213
F	V05-0191	DAI	2005-05-15	chr	J. VOLSTORF	2002-01-16	59569	
G	V06-0498	DCH	2006-05-24	appd	J. VOLSTORF	2002-01-16	1 of 4	
sheet index	revision sheet	K 1	K 2	K 3	K 4		cage code	22526

PRODUCT NUMBER
SEE SHEET 1

PRESS-FIT HOLES	OPTION 1	OPTION 2
COPPER PLATING	0.025 MIN-0.050 MAX.	0.025 MIN-0.050 MAX.
SnPb PLATING	0.005-0.015	---



RECOMMENDED PCB HOLE PATTERN
(COMPONENT SIDE)
SEE NOTE 11

RECOMMENDED TRACE AND ANTIPAD DIMENSIONS
SCALE 4:1

mat'l code SEE TABLE				tolerances unless otherwise specified		CUSTOMER		FCj www.fciconnect.com	
ltr	ecm no.	dr	date	linear	0.X ±0.3	COPY		title	
K					0.XX ±0.13	projection		VERTICAL SIGNAL HDR. 5 ROW P.F. 30 POS. SPECIAL LOAD EXT.	
				angles	.XXX ±.051	MM		product family METRAL 4000 code	
				dr	0° ±2°	← MM →		size	
				enr	C. DAILY 2002-01-16	scale		dwg no	
				chr	J. VOLSTORF 2001-10-25	2:1		59569	
				appd	J. VOLSTORF 2002-01-16			sheet	
					J. VOLSTORF 2002-01-16			2	
sheet index	revision sheet							cage code	
								22526	4



This document is the property of and embodies
 CONFIDENTIAL and PROPRIETARY information of FCj.
 No part of the information shown on this
 document may be used in any way or disclosed
 to others without the written consent of FCj.
 Copyright FCj.

PRODUCT NUMBER
SEE SHEET 1

NOTES:

1. SEE APPLICATION SPECIFICATION GS-20-014 FOR INFORMATION ON AVAILABLE TOOLING, CIRCUIT BOARD DESIGN CONSIDERATIONS, REPAIR PROCEDURES AND PRODUCT OFFERINGS. SEE PRODUCT SPECIFICATION GS-12-184.
2. UNLESS OTHERWISE SPECIFIED, ALL DIMENSIONS AND TOLERANCES ARE IN ACCORDANCE WITH ASME Y14.5, 1994.
3. HOUSING MATERIAL: LIQUID CRYSTAL POLYMER, 30% GLASS FILLED, FLAME RETARDANT PER UL 94-V0.
PIN MATERIAL: PHOSPHOR BRONZE
GROUND SPRING MATERIAL: PHOSPHOR BRONZE
STRIPLINE SHIELD MATERIAL: PHOSPHOR BRONZE
4. PLATING ON CONTACT AREA OF PIN PER PERFORMANCE LEVEL, SEE SHEET 1. PLATING ON "LF" TAILS IS Sn ONLY, ALL OTHERS ARE TIN-LEAD.
5. DIMENSIONAL RESTRICTIONS OF PINS IN HEADERS. FOR USE WITH METRAL 4000 RECEPTACLES.
DIM A : 5.00mm MIN, 6.50mm MAX FOR ROWS A,B,D,E
DIM A : 5.00mm MIN, 8.00mm MAX FOR ROWS C-F
DIM A : 5.00mm MIN, 5.75mm MAX FOR ROWS GND
FOR USE WITH METRAL 1000 RECEPTACLES/
DIM A : 5.00mm MIN, 8.00mm MAX FOR ROWS A,B,C,D,E
DIM A : 5.00mm MIN, 5.75mm MAX FOR ROW GND
6. THE MIN PCB THICKNESS FOR FRONT PLUG-UP APPLICATIONS IS 1.6mm.
7. THE 'CONNECTOR OUTLINE' IS THE MIN OUTLINE REQUIRED. TO DETERMINE THE OUTLINE NECESSARY TO PERMIT THE VARIOUS TYPES OF REPAIR OPERATIONS, SEE APPLICATION SPECIFICATION GS-20-010.
8. CURRENT RATING : 1 AMP PER PIN
9. TEMPERATURE RANGE : -55°C TO +105°C

10. P/N 59569-X01ZZZLF



11. AVOID TRACES ON TOP OF BOARD DUE TO EXPOSED GROUND SHIELD.
12. FOR FRONT PLUG-UP APPLICATIONS, THE EVEN NUMBERED PINS IN ROW "C" CAN BE USED FOR POWER AS WELL AS GROUND. IF THE SURROUNDING PINS ARE NOT USED FOR POWER, THEN EACH PIN CAN CARRY 3 AMPS. IF THE SURROUNDING PINS ARE USED FOR POWER, THEN EACH PIN CAN CARRY 1 AMP. WHEN THE SURROUNDING PINS ARE USED ONLY FOR LOW SPEED SIGNALS, THEN THE EVEN NUMBERED "C" ROW PINS CAN ALSO BE USED FOR LOW SPEED SIGNALS.
13. AFTER INSERTION INTO CIRCUIT BOARD WITH QUALIFIED TOOL.
14. PRODUCTS WHERE THE PART NUMBERS ENDS IN LF MEET THE EUROPEAN UNION DIRECTIVES AND OTHER COUNTRY REGULATIONS AS DESCRIBED IN GS-22-008.

ALL PRODUCTS WILL WITHSTAND EXPOSURE TO 260°C FOR 60 SECONDS IN A CONVECTION, INFRA-RED OR VAPOR PHASE REFLOW OVEN.
15. FOR LEAD FREE PART NUMBERS, ADD AN "LF" SUFFIX, EXAMPLE: 59569-X0100ILF.
16. EQUIVALENT PRECIOUS METAL PLATING MAY BE SUBSTITUTED.



This document is the property of and embodies CONFIDENTIAL and PROPRIETARY information of FCI. No part of the information shown on this document may be used in any way or disclosed to others without the written consent of FCI. Copyright FCI.

mat'l code SEE TABLE				tolerances unless otherwise specified		CUSTOMER		FCI www.fciconnect.com	
ltr	ecn no.	dr	date	linear	0.X ±0.3		COPY		title VERTICAL SIGNAL HDR. 5 ROW P.F. 30 POS. SPECIAL LOAD EXT.
K					0.XX ±0.13		projection		
					.XXX ±.051				
				angles	0° ±2°				
				dr	C. DAILY	2002-01-16	MM		product family METRAL 4000
				enrg	J. VOLSTORF	2001-10-25			code 213
				chr	J. VOLSTORF	2002-01-16	scale 2:1		size 59569
				appd	J. VOLSTORF	2002-01-16	A		sheet 3
sheet index	revision sheet								

1 | 2

3 |

4

SPECIAL LOAD PATTERNS		
PRODUCT #	ROW	PIN CODES
59569-X01001	E	02
	D	
	C	
59569-X01001LF SEE NOTE 15	B	
	A	
	GND	
59569-X01002	E	03
	D	
	C	
59569-X01002LF SEE NOTE 15	B	
	A	
	GND	

A

A



This document is the property of and embodies
 CONFIDENTIAL and PROPRIETARY information of FCI.
 No part of the information shown on this
 document may be used in any way or disclosed
 to others without the written consent of FCI.
 Copyright FCI.

DIM A	PIN CODES
5.00	*01
5.75	02
6.50	03
7.25	04
8.00	*19

* CURRENTLY NOT AVAILABLE

B

B

mat'l code SEE TABLE				tolerances unless otherwise specified		CUSTOMER		 www.fciconnect.com	
ltr	ecn no.	dr	date	linear	0.X ±0.3		COPY		title VERTICAL SIGNAL HDR. 5 ROW P.F. 30 POS. SPECIAL LOAD EXT.
K					0.XX ±0.13		projection		
					.XXX ±.051				
				angles	0° ±2°				
		dr	C. DAILY	2002-01-16	MM		product family METRAL 4000		code
		enrg	J. VOLSTORF	2001-10-25			size	dwg no	213
		chr	J. VOLSTORF	2002-01-16	scale		A	59569	sheet
		appd	J. VOLSTORF	2002-01-16	2:1				4
sheet index	revision sheet								

1 | 2

Pro/E

3 |

cage code 22526

4